

## SİSTEM TALEP FORMU / SYSTEM REQUEST FORM / Lütfen gerekli bilgileri doldurunuz. / Please fill in your required information.

### CRF-FEEL SYSTEM / HAREKETLİ CAM TAVAN SİSTEM

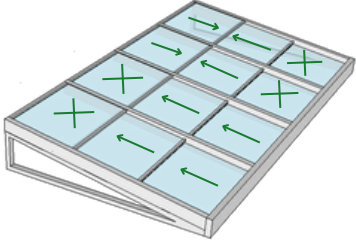
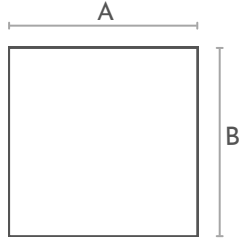
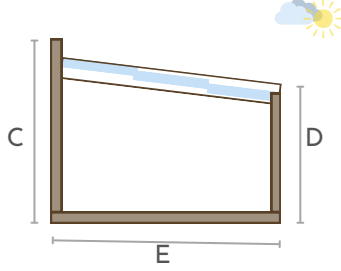
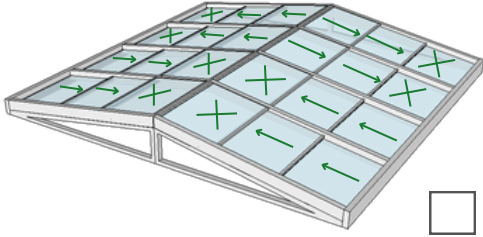
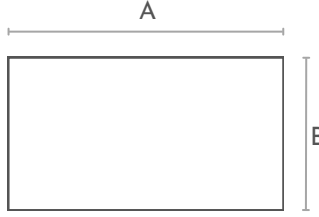
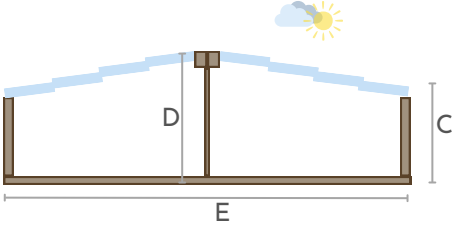
Requesting Company Talep Eden Firma	Tarih / Date
Client Name Müşteri Ad-Soyad	Ülke-Şehir/ Country-City
Telefon / Phone	E-Mail
Adres / Adress	

### SİSTEM KULLANIM ALANI / SYSTEM USAGE AREA

Müstakil Konut / Residential	Kafe-Restoran Cafe-Restaurants	Otel-İşletme Hotel-Business	Endüstriyel Industrial	Diğer Other
<input type="checkbox"/>	<input type="checkbox"/>	<input type="checkbox"/>	<input type="checkbox"/>	<input type="checkbox"/>

### SİSTEM MODEL / SYSTEM MODEL

### ALAN ÖLÇÜSÜ / AREA MEASUREMENT

 <input type="checkbox"/>			A=..... B=..... C=..... D=..... E=.....
 <input type="checkbox"/>			A=..... B=..... C=..... D=..... E=.....

### KAPLAMA TÜRÜ / COVERING TYPE

Polikarbonat Polycarbonate	Isıcam Double Glazing
<input type="checkbox"/>	<input type="checkbox"/>
Polikarbonat Renk Polycarbonate Color	Polikarbonat Kalınlık Polycarbonate Thicknes
<input type="checkbox"/> Şeffaf/Transparent	<input type="checkbox"/> 10-16mm
<input type="checkbox"/> Opak/Opaque	<input type="checkbox"/> 25mm
<input type="checkbox"/> Bronz/Bronze	<input type="checkbox"/> 32mm
<input type="checkbox"/> Şeffaf/Transparent	<input type="checkbox"/> 25mm temper-lamine
<input type="checkbox"/> Füme/Smoked	<input type="checkbox"/> 34mm temper-lamine
<input type="checkbox"/> Bronz/Bronze	

### SİSTEM RENGİ / SYSTEM COLOR

<input type="checkbox"/> 7016 (antrasit-anthracite)	<input type="checkbox"/> 9016 (beyaz-white)	<input type="checkbox"/> 9005 (siyah-black)	<input type="checkbox"/> 8023 (kahverengi-brown)	<input type="checkbox"/> TEXTURE	<input type="checkbox"/> MAT	<input type="checkbox"/> PARLAK
---	---	---	--	----------------------------------	------------------------------	---------------------------------

### NOT / NOTES

---



---